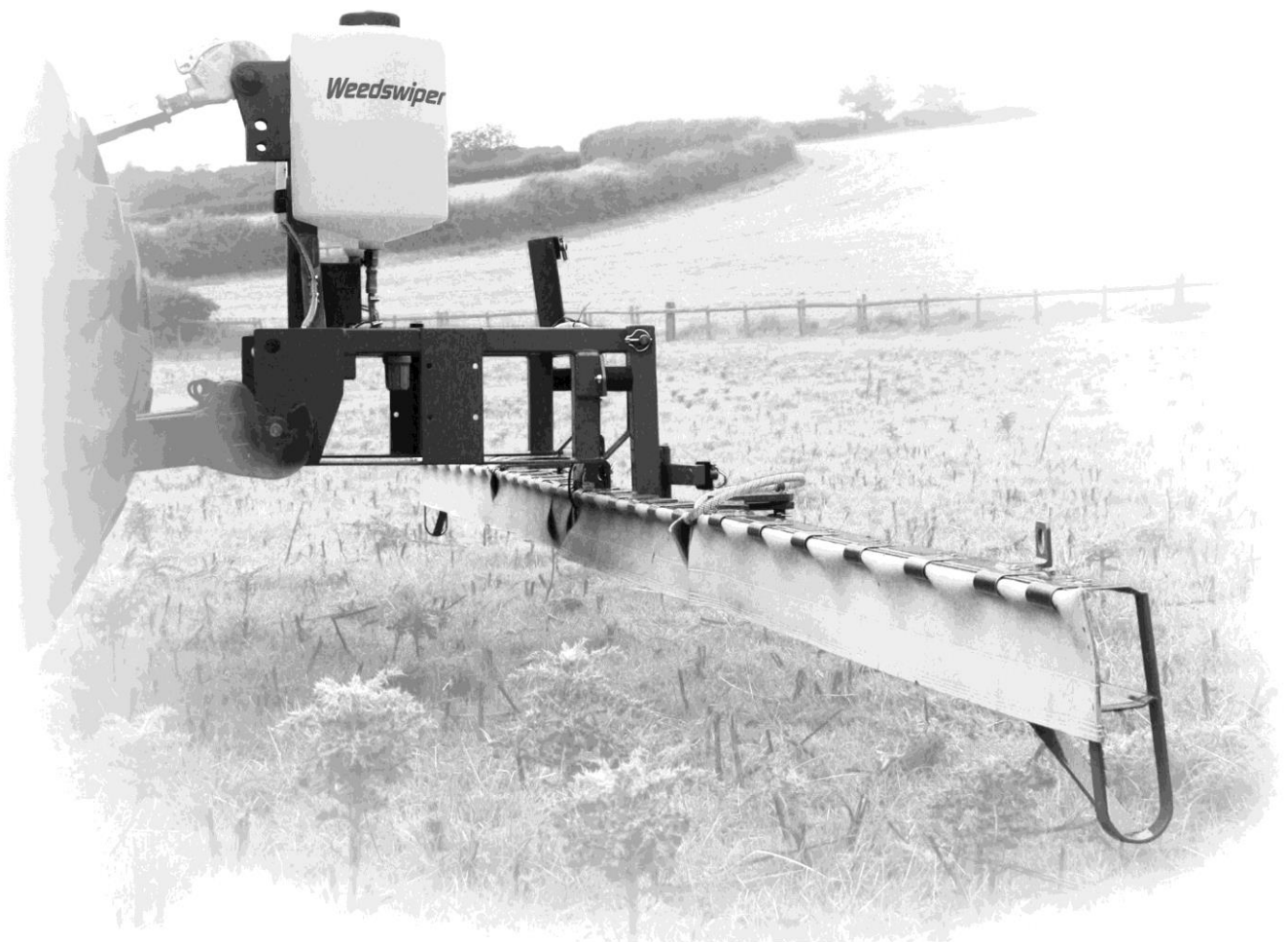




WeedWiper

Six Metres, three Metres, two Metres folding and two Metres fixed.



Parts Catalogue

Publication Part No: 11883

Revision: 1

Edition Notice

Prepared and printed by or on behalf of:



This publication covers the following products:

WeedWiper 6.0 Metres, WeedWiper 3.0 Metres, WeedWiper 2.0 Metres (folding) and WeedWiper 2.0 Metres (fixed).

This document is prepared for Micron Sprayers Ltd. their agents and clients. The document should be taken in its entirety. No responsibility can be accepted, nor can consent be assumed for the part reproduction, editing, extract or quotation taken out of context of this document.

All rights reserved. No part of this publication may be reproduced, stored in a retrieval system, or transmitted in any form or by any means, electronic, mechanical, photocopying, recording or otherwise, without the prior permission of Micron Sprayers Ltd.

Copyright © Micron Sprayers Ltd. 2018

Whilst every effort has been made to ensure the accuracy of this document, any errors or inaccuracies should be reported to Micron Sprayers Ltd. or their agents.



Bromyard Industrial Estate
Bromyard
Herefordshire
HR7 4HS
U.K.

T +44 (0)1885 482397
F +44 (0)1885 483043
E enquiries@micron.co.uk
www.microngroup.com

Table of Contents

1	WeedWiper components and accessories	6
1.1	Main Frame Assembly	8
1.1.1	Main Frame	8
1.1.2	Tanks and Fittings	10
1.1.3	Plumbing and Electrical Components	12
1.2	Boom Options.....	14
1.2.1	Boom Assembly 6.0 Metres	14
1.2.2	Boom Assembly 3.0 Metres	16
1.2.3	Boom Assembly 2.0 Metres - Folding	18
1.2.4	Boom Assembly 2.0 Metres - Fixed.....	20
1.3	Trailer Conversion Components	22
1.3.1	Front Frame Assembly	22
1.3.2	Wheel Assembly.....	24

Only use spare parts recommended by Micron Group, their agents and/or distributors.

The use of parts not specifically recommended by micron group, their agents and/or distributors may void any warrantee agreements.

Spare parts should only be fitted by suitably qualified and/or experienced persons.

When ordering spare parts, please specify the following information:

- Serial number of system/unit.
- Approximate date of manufacture.
- Description of part.
- Part number as shown in this section.
- Quantity required.

For spare parts and accessories contact:



Bromyard Industrial Estate

Bromyard

Herefordshire

HR7 4HS

U.K.

T +44 (0)1885 482397

F +44 (0)1885 483043

E enquiries@micron.co.uk

www.microngroup.com

Or your authorised agent:

Agent / Distributor details:

1 WEEDWIPER COMPONENTS AND ACCESSORIES

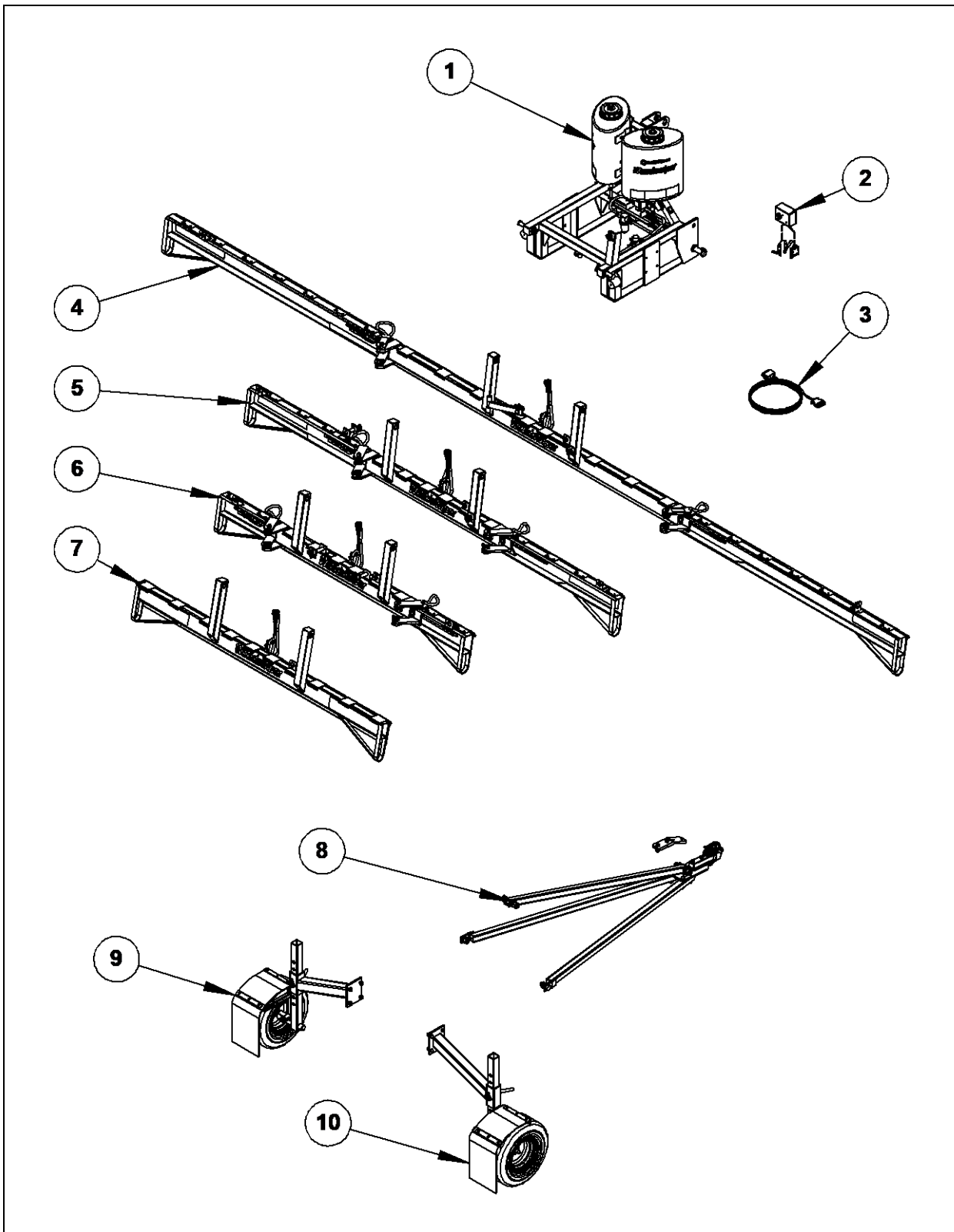


Figure 1 – WeedWiper components and accessories

WeedWiper Components and Accessories – Parts List

ITEM	PART NO.	DESCRIPTION
1	Refer to Chapter Error! Reference source not found.	WEEDWIPER MAIN FRAME ASSEMBLY (COMMON)
2	7083	WEEDWIPER CONTROL UNIT
3	WSW/100	EXTENSION CABLE, 4.0 m
4	Refer to Chapter 1.2.1	WEEDWIPER BOOM ASSEMBLY 6.0 m
5	Refer to Chapter 1.2.2	WEEDWIPER BOOM ASSEMBLY 3.0 m
6	Refer to Chapter 0	WEEDWIPER BOOM ASSEMBLY 2.0 m FOLDING
7	Refer to Chapter 1.2.4	WEEDWIPER BOOM ASSEMBLY 2.0 m FIXED
8	Refer to Chapter 1.3.1	WEEDWIPER, TRAILER CONVERSION, FRONT FRAME ASSEMBLY
9	Refer to Chapter 1.3.2	WEEDWIPER, TRAILER CONVERSION, WHEEL ASSEMBLY (LEFT HAND)
10	Refer to Chapter 1.3.2	WEEDWIPER, TRAILER CONVERSION, WHEEL ASSEMBLY (RIGHT HAND)

1.1 Main Frame Assembly

1.1.1 Main Frame

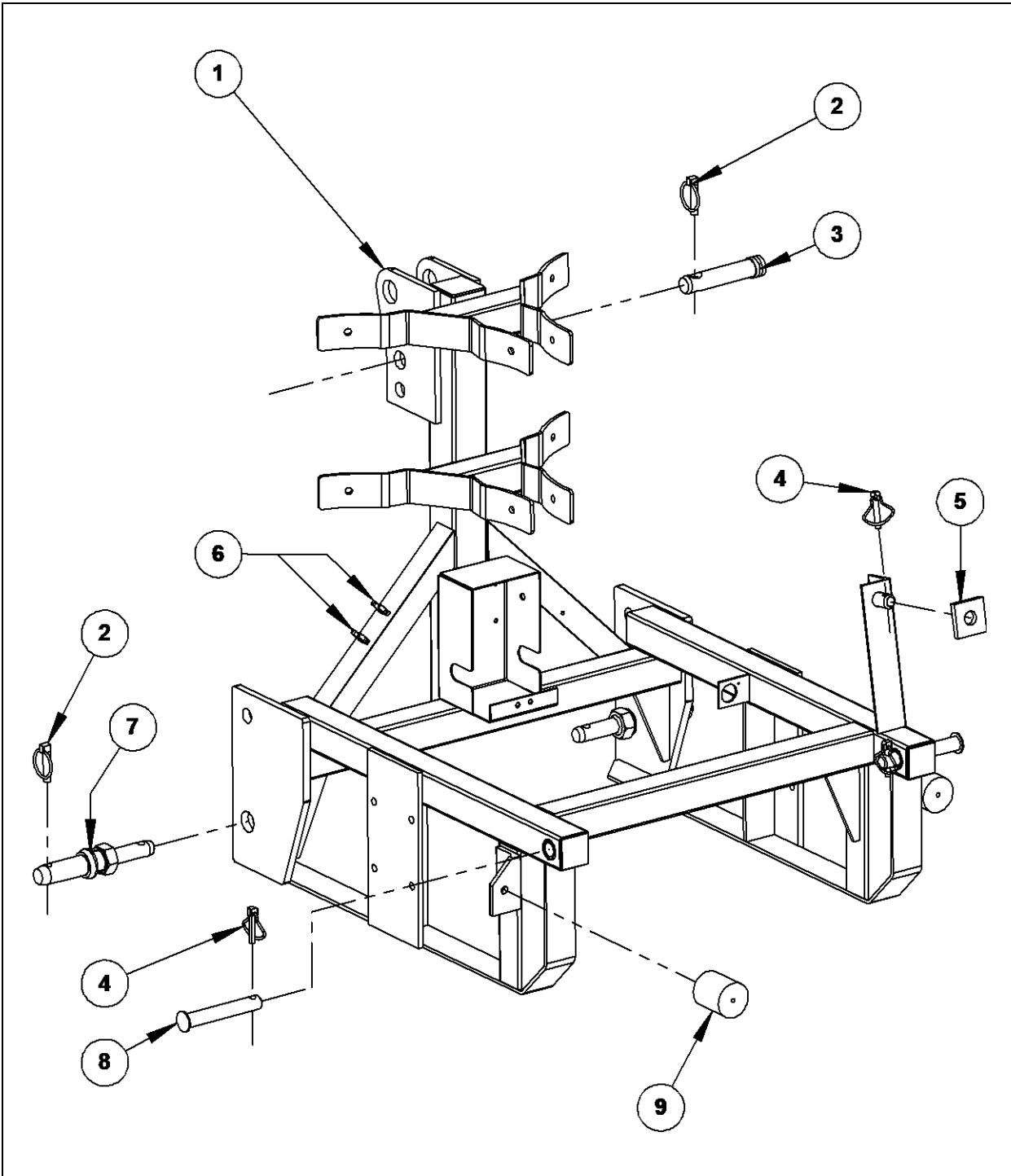


Figure 2 - Main Frame Assembly

Main Frame Assembly – Parts List

ITEM	PART NO.	DESCRIPTION	QTY.
1	7762	MAIN FRAME	1
2	7925	LINCHPIN, 11 mm	3
3	7924	CAT. 2 TOP LINK PIN	1
4	6554	LINCHPIN, 8 mm	3
5	7156	DAMPERS	1
6	6833	CLIP 13 mm	2
7	6806	LOWER LINK PIN, DUAL, CAT 1 AND 2	2
8	7251	PIN	2
9	10057	DAMPER	2
10	5651	RIVET 3 X 12 mm FLATTENED	4
11	5708	SERIAL PLATE	1

1.1.2 Tanks and Fittings

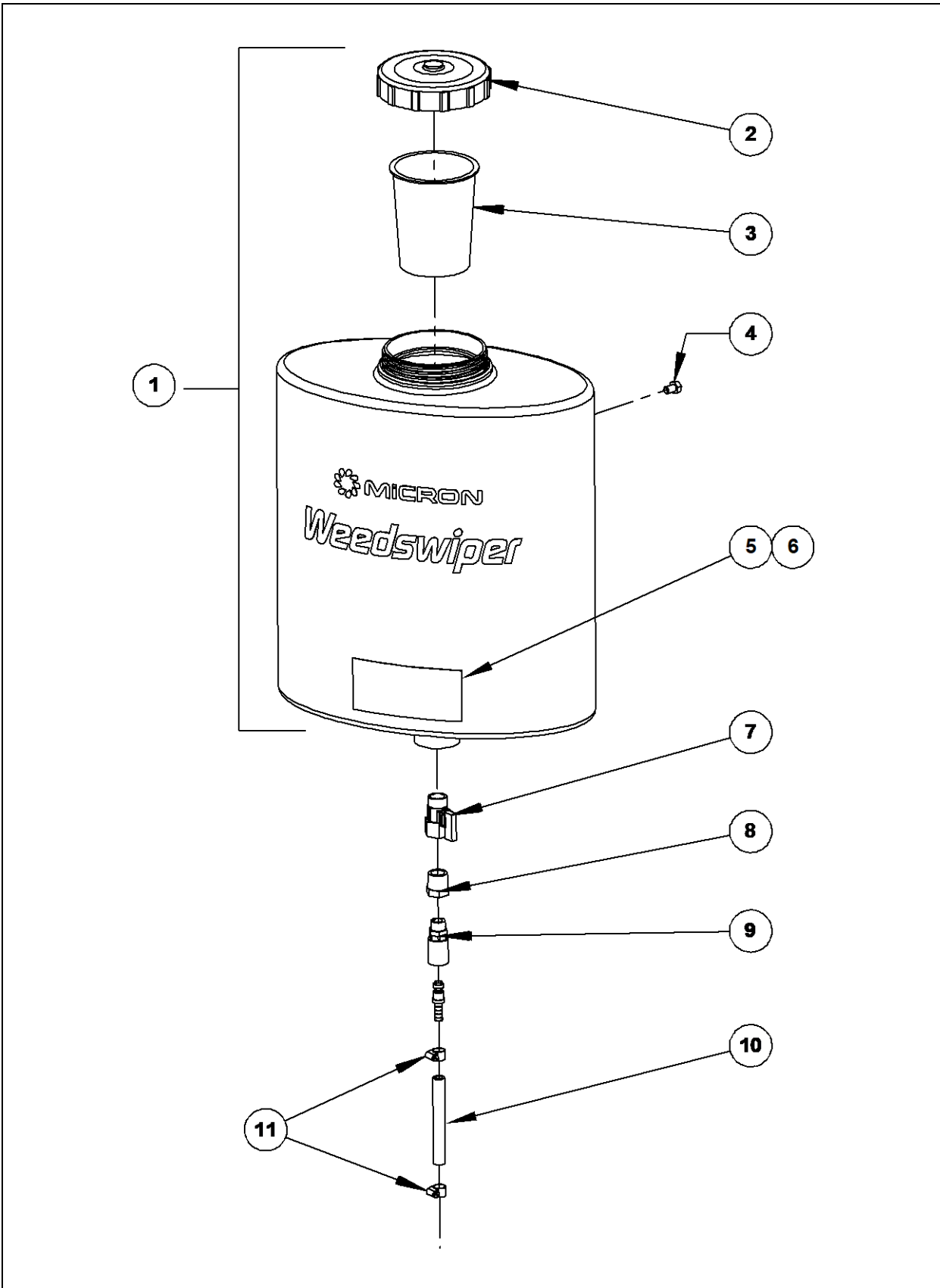


Figure 3 - Tanks and fittings

Tanks and Fittings – Parts List

ITEM	PART NO.	DESCRIPTION	QTY.
1	6786	TANK, 20 LITRE, WEEDWIPER INCLUDING LID AND FILTER BASKET	1
2	6800	CAP	1
3	6801	FILTER	1
4	6897	SCREW M8X12	4
5	9583	LABEL CLEAN WATER TANK WATER	1
6	9584	LABEL, MIX TANK	1
7	7058	VALVE	1
8	7155	ADAPTER 1/2" M X 3/8" F BSP	1
9	7153	CONNECTOR QUICK RELEASE	1
10	7506	HOSE 8 X 13	*
11	5464	CLIP NO.12	2

* Item supplied per metre. Please state the total length required in metres

1.1.3 Plumbing and Electrical Components

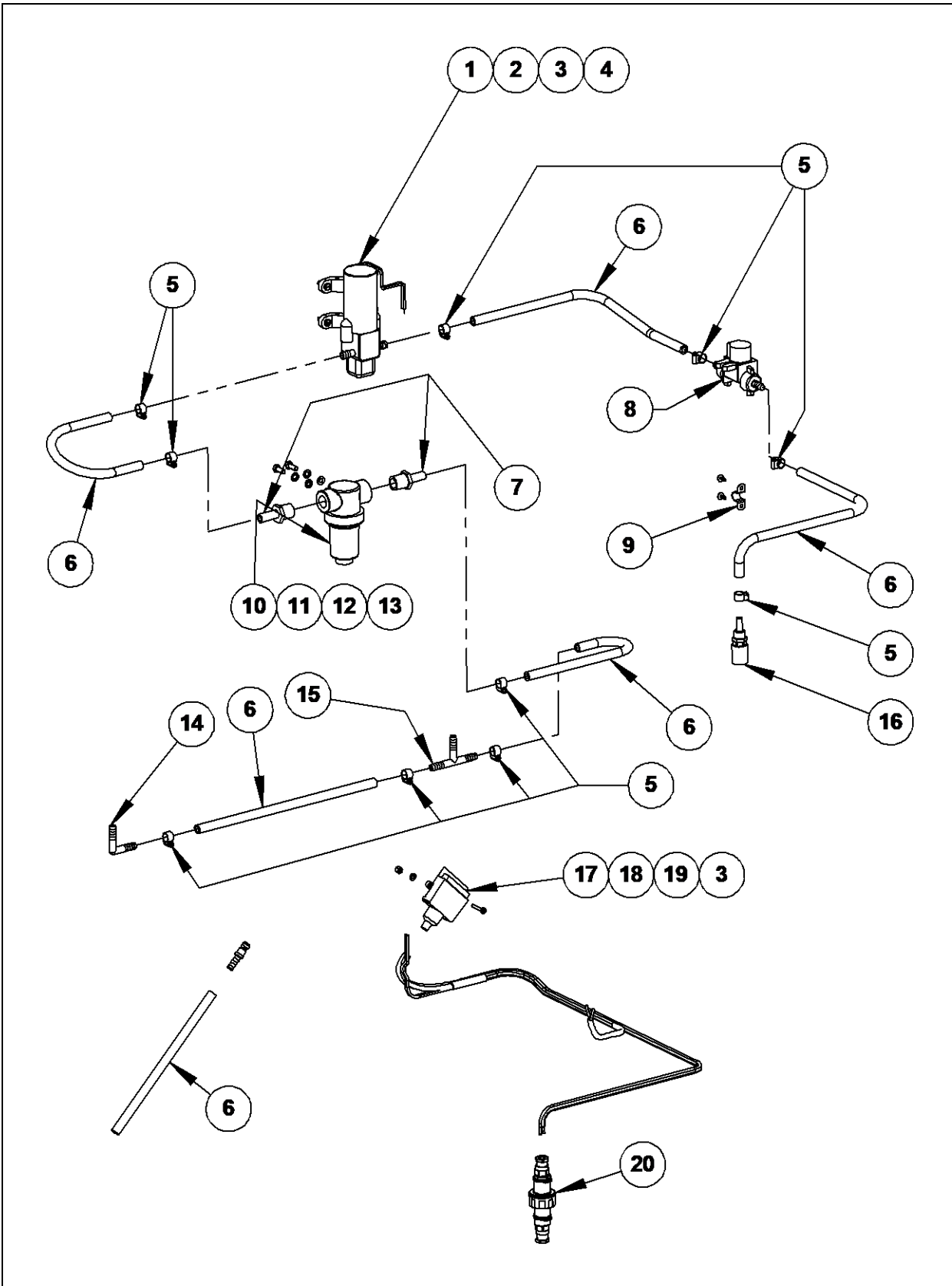


Figure 4 - Plumbing and Electrical Components

Plumbing and Electrical Components – Parts List

ITEM	PART NO.	DESCRIPTION	QTY.
1	6784	PUMP	1
2	5886	SCREW M5 X 20	4
3	5997	WASHER, M5, FLAT, S/S	6
4	5998	NUT, M5 NYLOC	4
5	5464	CLIP NO.12	10
6	7506	HOSE 8 X 13	*
7	8300	HOSE BARB, 1/2" BSPM x 3/8"	2
8	6816	SOLENOID	1
9	7186	SADDLE	1
10	8043	FILTER STRAINER	1
11	5472	SCREW M6 X 16 SET, HEX	2
12	6182	WASHER M6 LOCKING	2
13	6017	WASHER, M6	2
14	7730	ELBOW 3/8" X 3/8" BARB	1
15	6874	TEE 3/8 X 3/8"	1
16	7152	CONNECTOR QUICK RELEASE HOSE	1
17	7188	CONNECTOR 7-PIN	1
18	5364	SCREW 3/16" WHIT	2
19	4516	NUT 3/16" WHIT NYLOC	2
20	9642	CONNECTOR ASSEMBLY, 2 WAY, 10A, IP68	1
21	8044	REPLACEMENT FILTER ELEMENT, 80 MESH, BLUE (NOT SHOWN)	1

* Item supplied per metre. Please state the total length required in metres

1.2 Boom Options

1.2.1 Boom Assembly 6.0 Metres

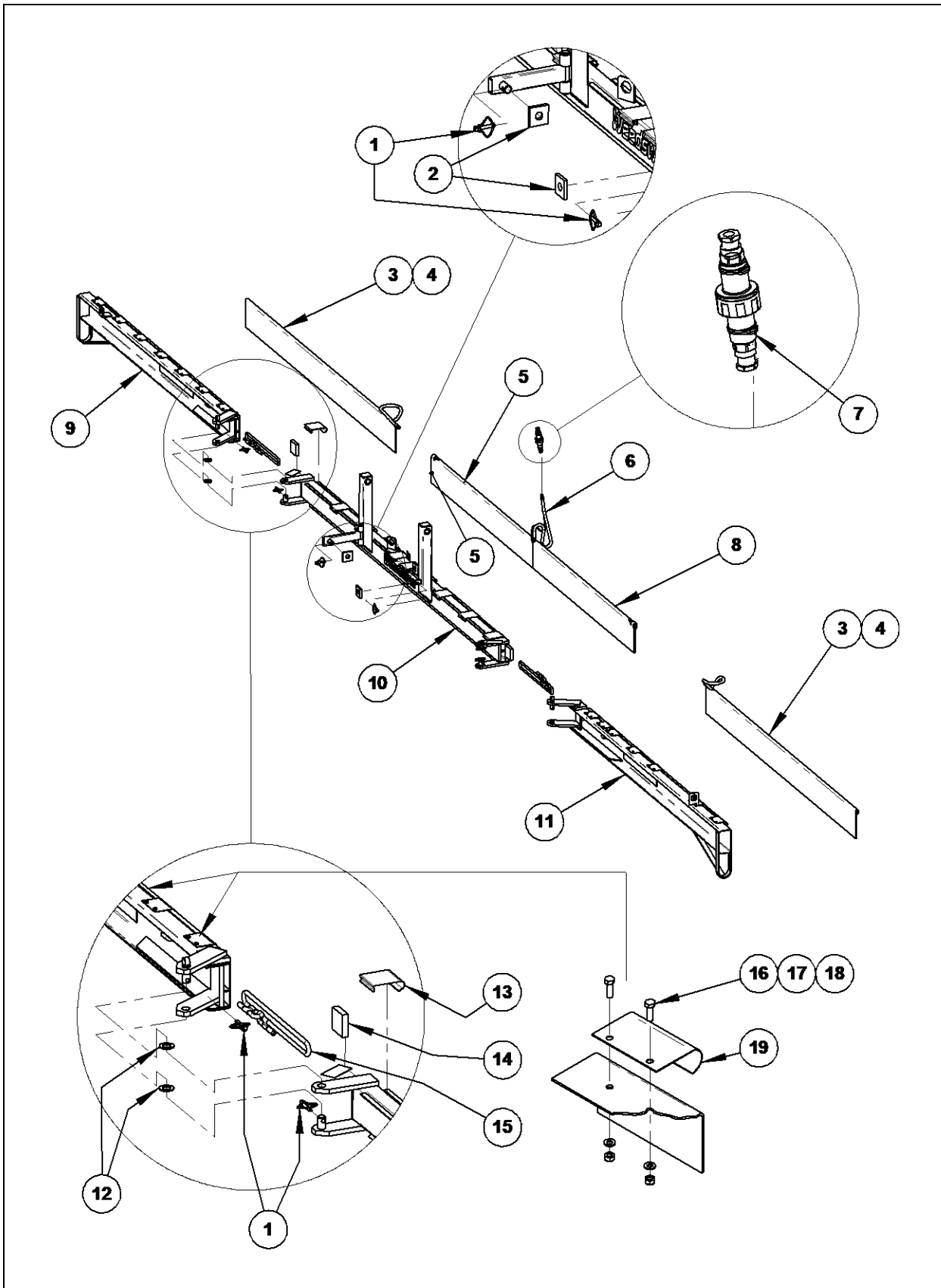


Figure 5 - boom assembly 6.0 meters

Boom Assembly 6.0 Metres – Parts List

ITEM	PART NO.	DESCRIPTION	QTY.
1	6554	LINCHPIN	6
2	7156	DAMPERS	2
3	7173	6.0 m BOOM OUTRIGGER PAD	2
4	7164	HOSE ASSEMBLY 6M OUTRIGGER	2
5	7171	6.0 m BOOM CENTRE PAD	1
6	7163	HOSE ASS 6.0 m CENTRE BOOM	1
7	9642	CONNECTOR ASSEMBLY, 2 WAY, 10A, IP68	1
8	7172	6.0 m BOOM CENTRE PAD + SENSOR	1
9	7764	BOOM 6.0 m OUTRIGGER LEFT HAND	1
10	7763	BOOM 6.0 m CENTRE SECTION	1
11	7765	BOOM 6.0 m OUTRIGGER RIGHT SECTION	1
12	6027	WASHER, M20 FLAT	4
13	7150	INNER BOOM CLIP	8
14	7169	RUBBER STOP	2
15	8936	ELASTICATED CORD, BREAKAWAY	2
16	4915	SCREW M5 x 16	28
17	5997	WASHER, M5, FLAT, S/S	28
18	5998	NUT, M5 NYLOC	28
19	7151	OUTER BOOM CLIP	14

1.2.2 Boom Assembly 3.0 Metres

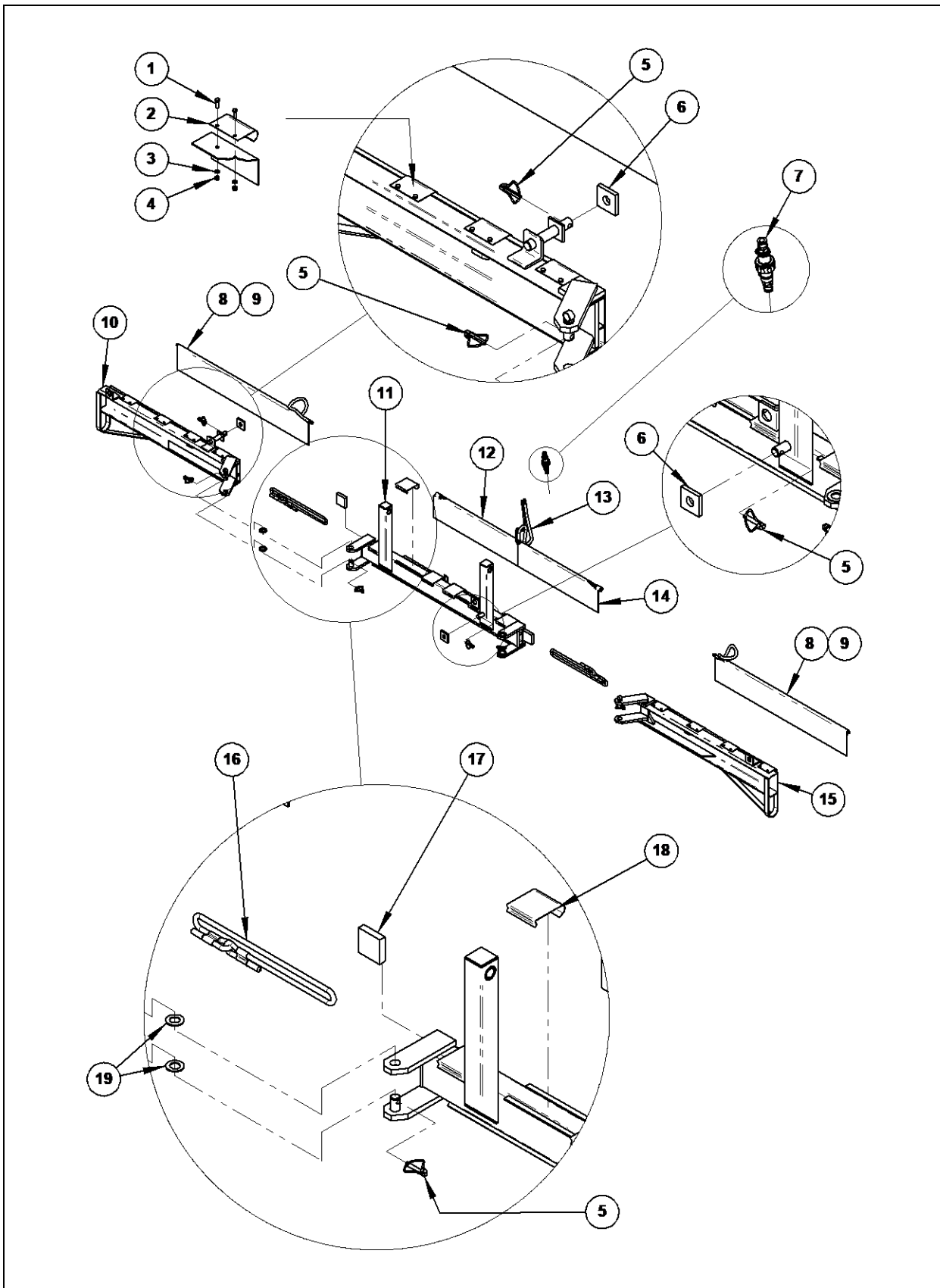


Figure 6 - Boom assembly 3.0 meters

Boom Assembly 3.0 Metres – Parts List

ITEM	PART NO.	DESCRIPTION	QTY.
1	4915	SCREW M5 x 16	16
2	7151	OUTER BOOM CLIP	8
3	5997	WASHER, M5, FLAT, S/S	16
4	5998	NUT, M5 NYLOC	16
5	6554	LINCHPIN	6
6	7156	DAMPERS	2
7	9642	CONNECTOR ASSEMBLY, 2 WAY, 10A, IP68	1
8	8934	3.0 m BOOM OUTRIGGER PAD	2
9	8631	HOSE ASSEMBLY 3.0m OUTRIGGER	2
10	8019	BOOM 3.0 m OUTRIGGER LEFT SECTION	1
11	8018	BOOM 3.0 m CENTRE FOLDING	1
12	8633	3M BOOM CENTRE PAD	1
13	8632	HOSE ASS 3.0 m CENTRE BOOM	1
14	8634	3.0 m BOOM CENTRE PAD + SENSOR	1
15	8020	BOOM 3.0 m OUTRIGGER RIGHT SECTION	1
16	8936	ELASTICATED CORD, BREAKAWAY	2
17	7169	RUBBER STOP	2
18	7150	INNER BOOM CLIP	6
19	6027	WASHER, M20 FLAT	4

1.2.3 Boom Assembly 2.0 Metres - Folding

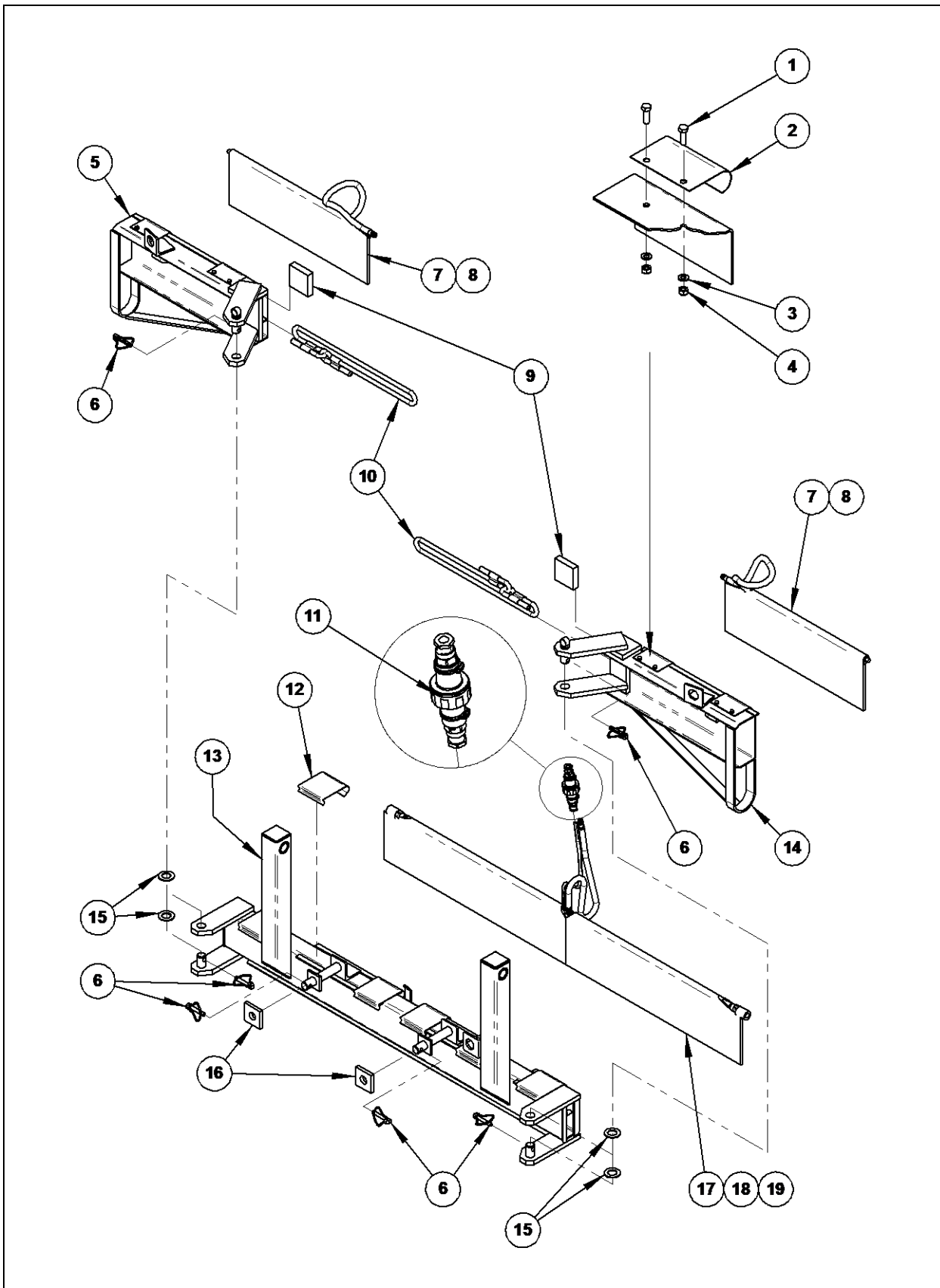


Figure 7 - Boom assembly 2.0 meters - folding

Boom Assembly 2.0 Metres - Folding – Parts List

ITEM	PART NO.	DESCRIPTION	QTY.
1	4915	SCREW M5 x 16	8
2	7151	OUTER BOOM CLIP	4
3	5997	WASHER, M5, FLAT, S/S	8
4	5998	NUT, M5 NYLOC	8
5	8605	BOOM 2.0 m OUTRIGGER LEFT SECTION	1
6	6554	LINCHPIN	6
7	7178	2.0 m BOOM OUTRIGGER PAD	2
8	7161	HOSE ASSEMBLY 2.0 m OUTRIGGER	2
9	7169	RUBBER STOP	2
10	8936	ELASTICATED CORD, BREAKAWAY	2
11	9642	CONNECTOR ASSEMBLY, 2 WAY, 10A, IP68	1
12	7150	INNER BOOM CLIP	6
13	8604	BOOM 2.0 m CENTRE FOLDING	1
14	8606	BOOM 2.0 m OUTRIGGER RIGHT SECTION	1
15	6027	WASHER, M20 FLAT	4
16	7156	DAMPERS	2
17	7177	2.0 m BOOM CENTRE PAD + SENSOR	1
18	7176	2.0 m BOOM CENTRE PAD	1
19	7160	HOSE ASS 2.0 m CENTRE BOOM	1

1.2.4 Boom Assembly 2.0 Metres - Fixed

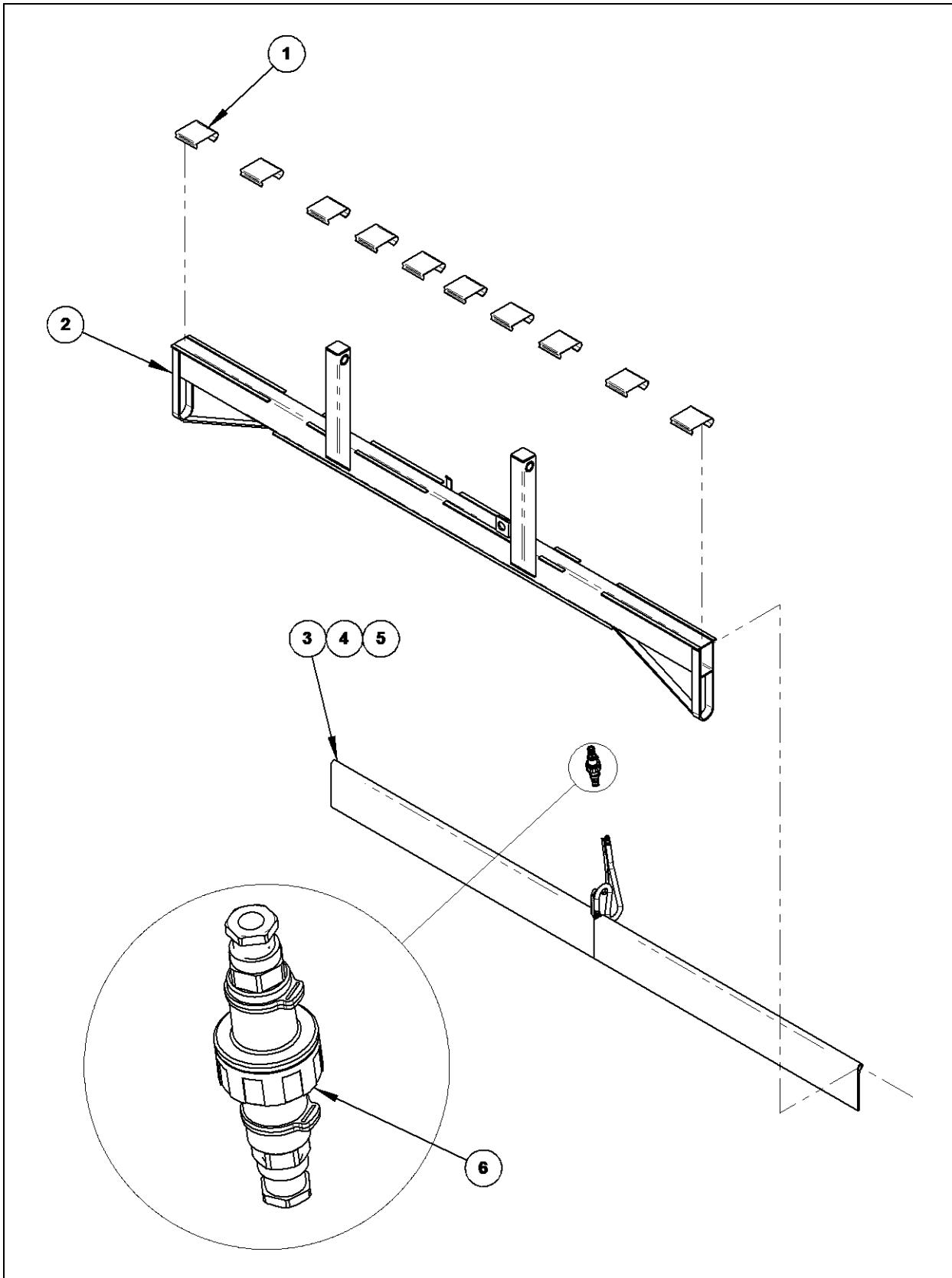


Figure 8 - Boom assembly 2.0 meters - fixed

Boom Assembly 2.0 Metres - Fixed – Parts List

ITEM	PART No.	DESCRIPTION	QTY.
1	7150	INNER BOOM CLIP	10
2	8607	WEEDWIPER BOOM ASSEMBLY 2.0 m	1
3	7174	2.0 m BOOM CENTRE PAD	1
4	7162	HOSE ASS 2.0 m CENTRE (FIXED) BOOM	1
5	7175	2.0 m BOOM CENTRE PAD + SENSOR	1
6	9642	CONNECTOR ASSEMBLY, 2 WAY, 10A, IP68	1

1.3 Trailer Conversion Components

1.3.1 Front Frame Assembly

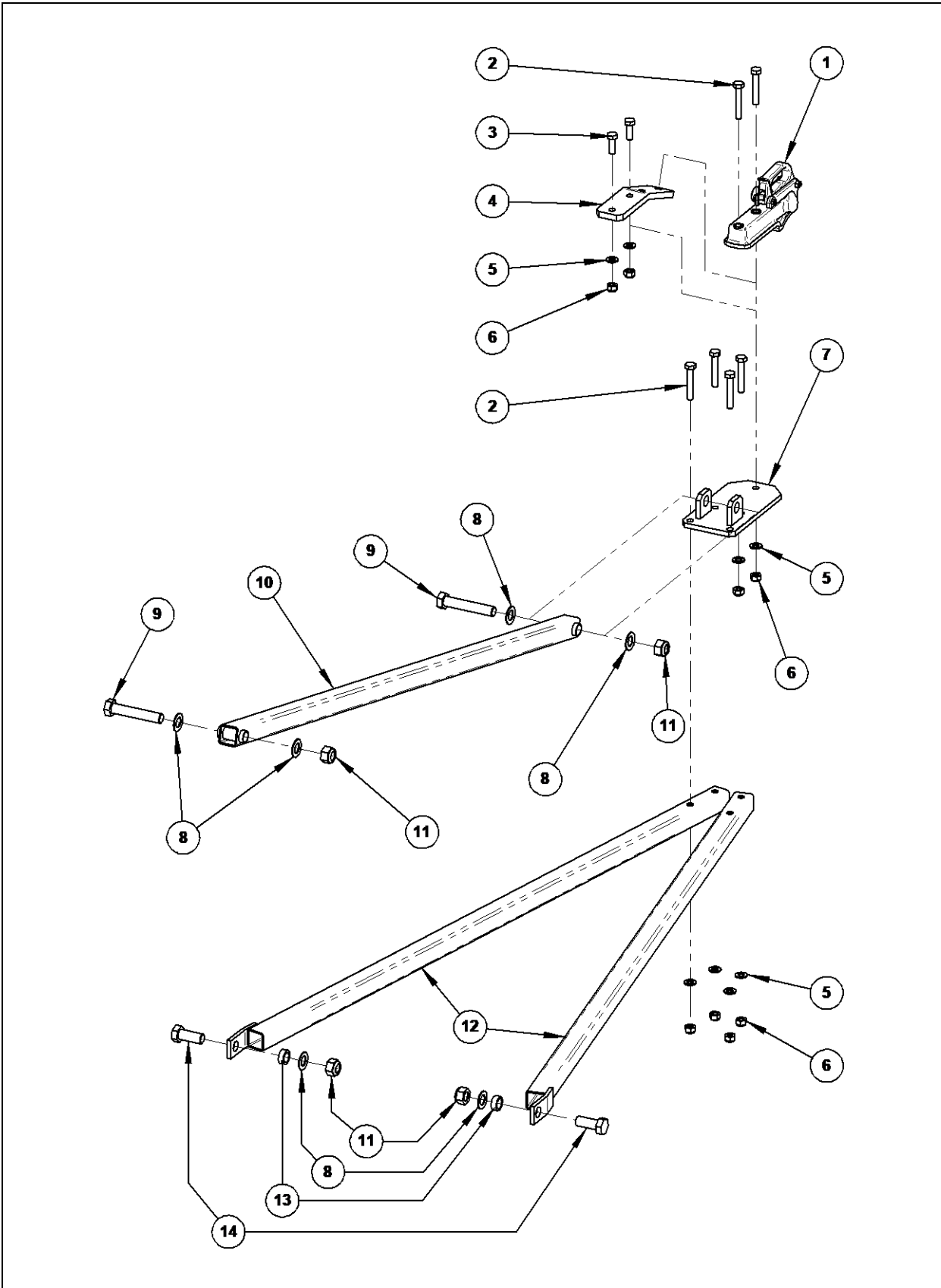


Figure 9 - Front frame assembly

Front Frame Assembly – Parts List

ITEM	PART No.	DESCRIPTION	QTY.
1	7030	BALL HITCH (RECEIVER)	1
2	6564	BOLT, M12X70, HEX HD.	6
3	6295	SCREW, M12X35, HEX HD.	2
4	7961	ADAPTOR PLATE	1
5	6567	WASHER, M12 FLAT	8
6	5177	NUT, M12 NYLOC	8
7	7960	HITCH MOUNTING PLATE	1
8	6027	WASHER, M20 FLAT	6
9	9080	BOLT, M20X110, HEX HD.	2
10	7959	STRUT	1
11	7192	NUT, M20 NYLOC	4
12	7958	ARM	2
13	7199	SPACER	2
14	7193	BOLT, M20X50, HEX HD.	2

1.3.2 Wheel Assembly

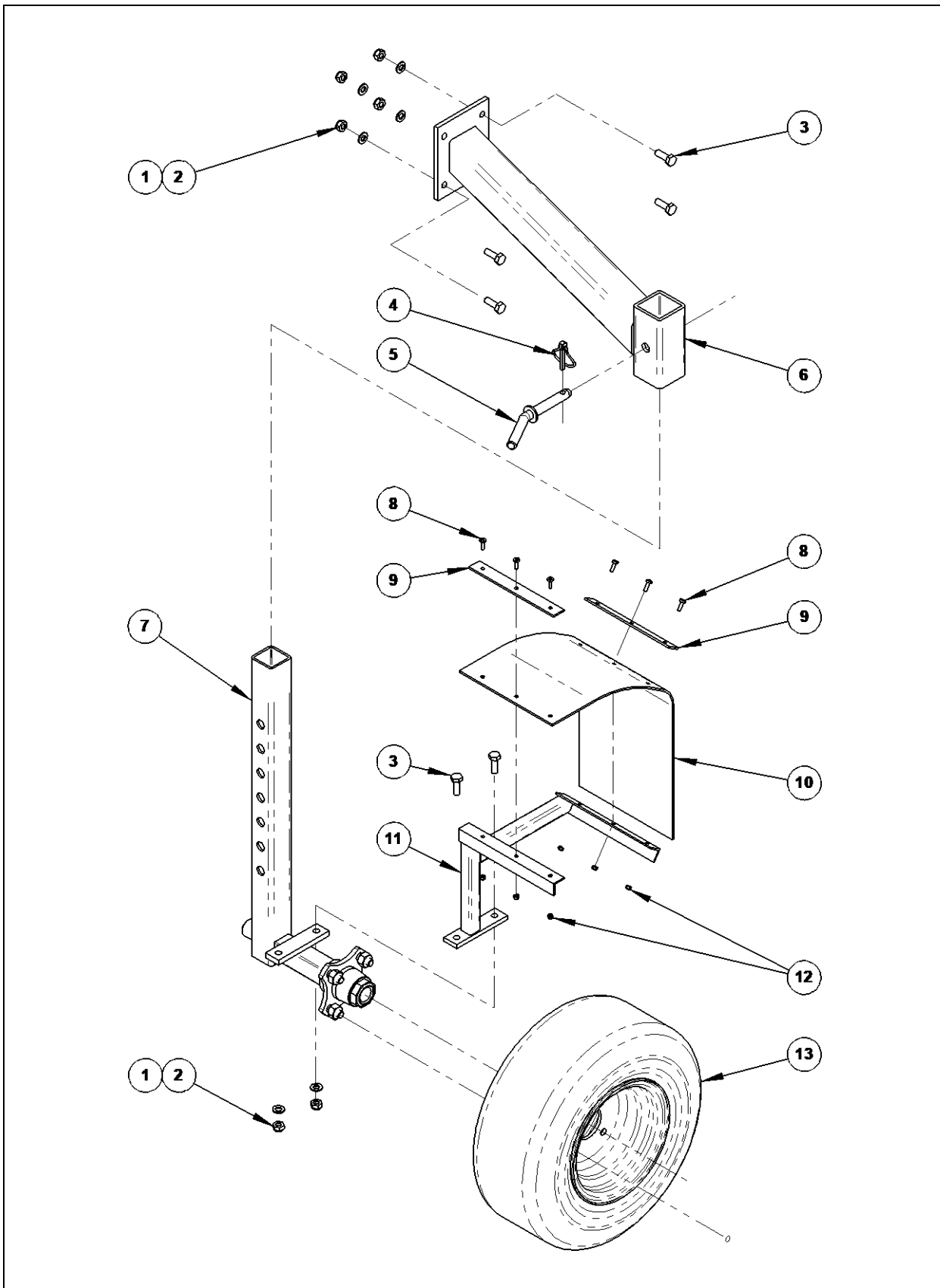


Figure 10 - Wheel assembly

Wheel Assembly – Parts List

ITEM	PART No.	DESCRIPTION	QTY.
1	5973	WASHER, M10 FLAT, S/S	6
2	5975	NUT, M10 NYLOC, S/S	6
3	6293	SCREW, M10x30, HEX HD.	6
4	6554	LINCHPIN	1
5	7966	WHEEL LOCKING PIN	1
6	7962	WHEEL MOUNTING BRACKET	1
7	7963	WHEEL LEG (INC. 7190)	1
8	6476	SCREW, M5x16, PAN HD.	6
9	7965	MUDGUARD CLAMPING STRIP	2
10	7035	MUDGUARD	1
11	7967	MUDGUARD MTG. BRACKET (LEFT HAND)	1
12	5998	NUT, M5 NYLOC	6
13	7189	WHEEL & TYRE	1
11	7964	MUDGUARD MTG. BRACKET (RIGHT HAND)	1

NOTES

Copyright © Micron Sprayers Ltd. 2018

General Enquiries:

Micron Group
Bromyard Industrial Estate,
Bromyard, Herefordshire,
HR7 4HS, U.K.

T +44 (0)1885 482397

F +44 (0)1885 483043

E enquiries@micron.co.uk

www.microngroup.com

 **MICRON GROUP**