

NOTES

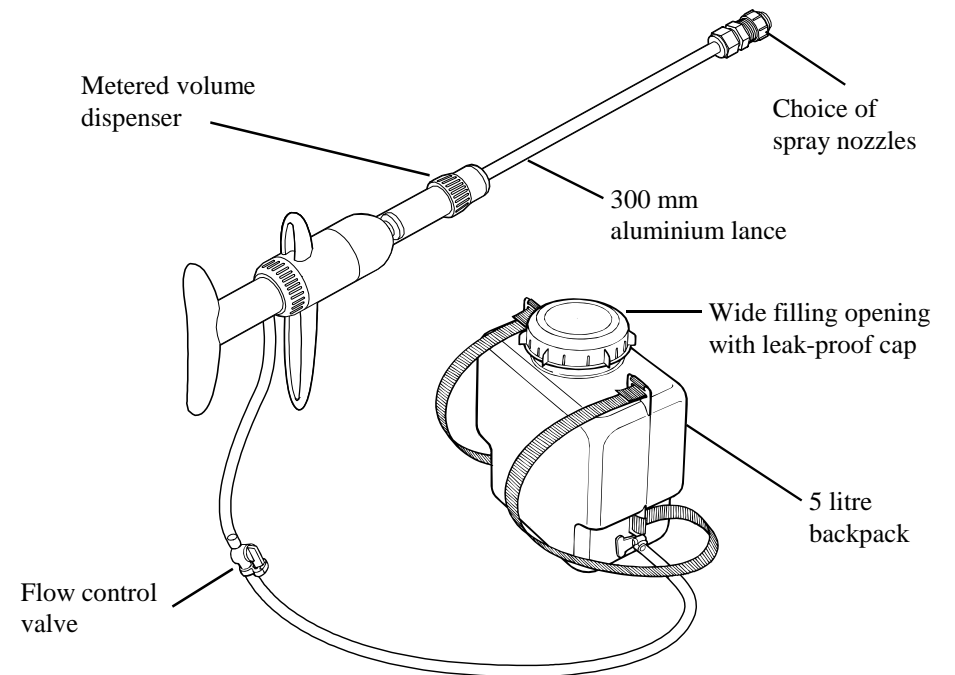
CONTENTS

Page

Description.....	1
Safety	2
Operator protection	2
Preparation of spray applicator	3
Mixing and filling	4
Spraying	5
Cleaning and maintenance	5
AccuDos 2P parts list.....	6
AccuDos 2P parts diagram.....	7

DESCRIPTION

The AccuDos 2P is a spray applicator for the accurate dispensing and delivery of a measured volume of spray liquid. The AccuDos 2P has the facility to ‘dial-in’ a pre determined quantity of spray liquid from 0.1 - 2.0 ml per shot. A choice of spray nozzles, specifically selected to deliver the appropriate spray quality, are available to ensure that spray is transferred accurately to the target. An anti-drip check valve is fitted as standard. The AccuDos 2P is supplied with a purpose designed five litre Micropak backpack with a filter and large aperture to facilitate ease of cleaning and filling. Liquid flow can be shut off with an in line tap which allows for disconnection of the backpack and hand lance.

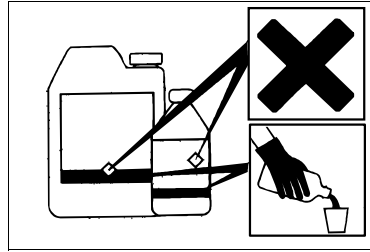


SAFETY

Using agrochemicals is a hazardous process. Operators should comply with all relevant legislation and/or regulations governing the use of agrochemicals and should use appropriate personal protective equipment (see 'OPERATOR PROTECTION'). **Never** use the AccuDos 2P in potentially explosive atmospheres or spray flammable liquid through it.

Always read the product label carefully to discover:-

- ◆ approved applications
- ◆ maximum dose rates
- ◆ maximum number of treatments
- ◆ operator protection required
- ◆ necessary environmental protection measures



N.B. 'Dose rate' refers to the amount of chemical product applied per hectare.

Never eat, drink, or smoke when working with agrochemicals. After using agrochemicals or handling equipment wash your hands thoroughly. Keep people (especially children) and animals out of areas being sprayed.

Always store agrochemicals safely to protect people and animals, and to safeguard the environment (take special care to avoid water pollution).

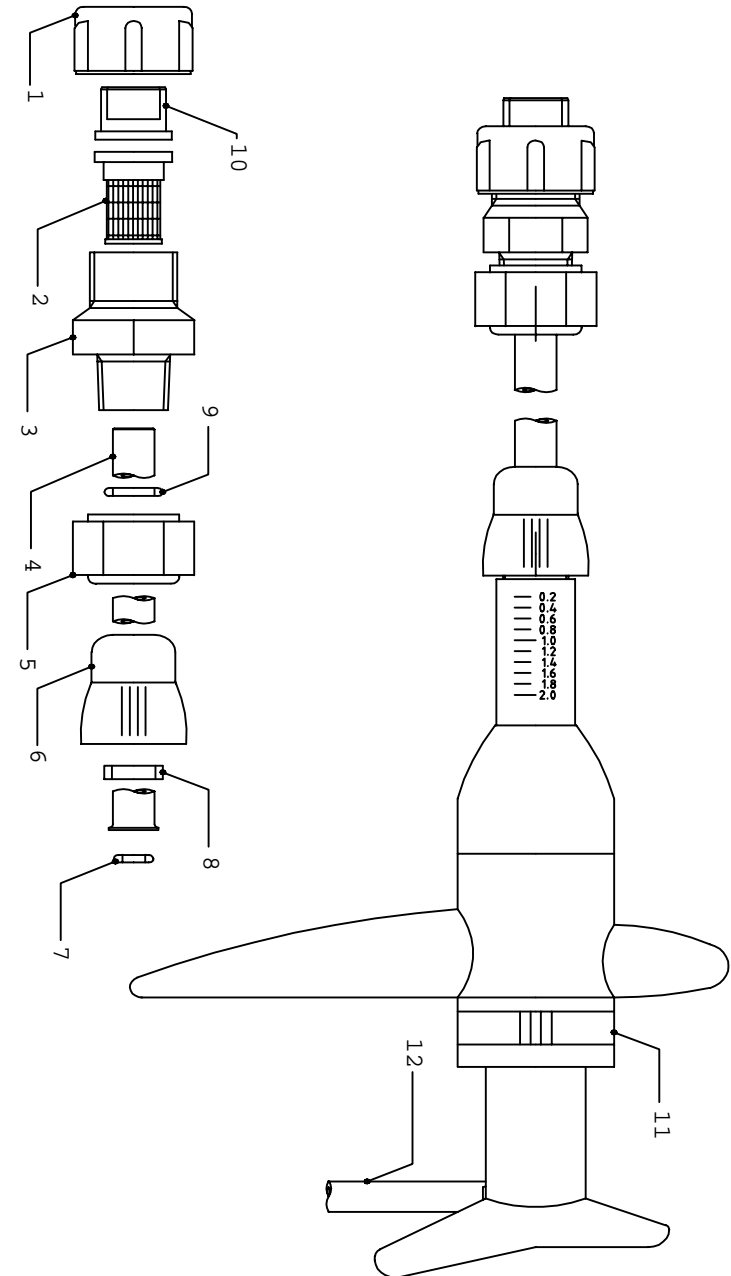
OPERATOR PROTECTION

Always wear the protective clothing items listed on the product label for mixing and filling. The **minimum** protective clothing required for **spraying** with the AccuDos 2P is:

- ◆ rubber gloves
- ◆ boots/shoes and long trousers
- ◆ eye protection
- ◆ long sleeved shirt



ACCUDOS 2P PARTS DIAGRAM

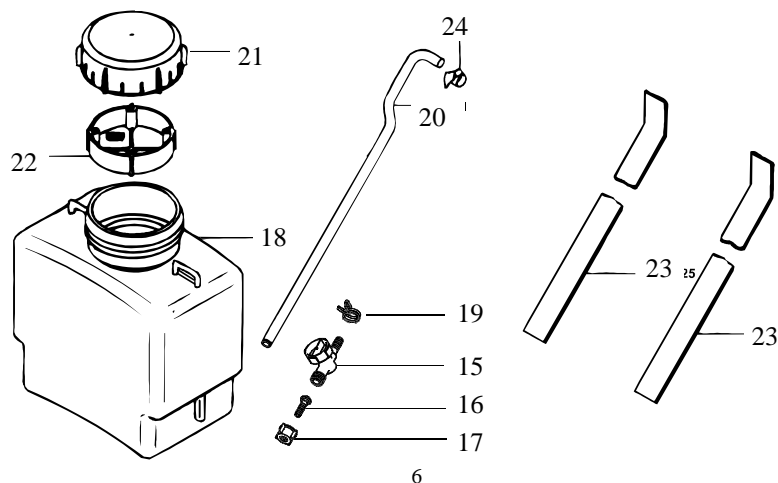


ACCUDOS 2P PARTS LIST

Item No.	Description	Part No.	Qty.
1	Nut, union, 11/16" UNF P.P., Natural	5791	1
2	Filter, ball check, 50 mesh, viton	5798	1
3	Nozzle body, 11/16" UNF - 1/4"	5792	1
4	Lance, 5/16" od x 16SWG - 0.30m aluminium	5799	1
5	Nut, Union, 1/4" BSP taper P.P., Natural	5793	1
6	Adaptor, Lance, P.P., green	5800	1
7	O-ring BS007, viton	5058	1
8	Spacer, 11mm od x 8.3mm id	5801	1
9	O-ring, BS011, viton	5151	1
10	Nozzle, 110 degree flat fan, polyacetal, red	5848	1
	Nozzle, 110 degree flat fan, polyacetal, brown	5850	1
	Nozzle, hollow cone, polyacetal, brown	5856	1
11	Syringe applicator, 2ml	5802	1
12	Tube, PVC, 5mm id x 8mm od - 0.5m	4309/50	1

BACKPACK AND REFILLING SYSTEM

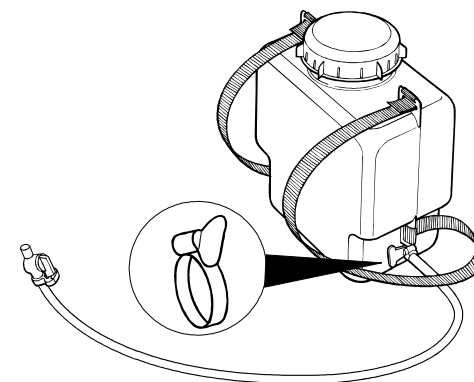
15	Tap	5776A	1
16	Hose connector	5778	1
17	Union nut	5779	1
18	Backpack, 5 litre	5404	1
19	Clip, 11.9mm, hose	6029	1
20	Tube, PVC, 8mm id x 12mm od - 0.3m	5414/30	1
21	Cap assembly	5208A	1
22	Filter bowl	5449	1
23	Webbing, 50mm, black, polypropylene	5107/125	2
24	Hose clip, No.12, wingscrew	5464	1



6

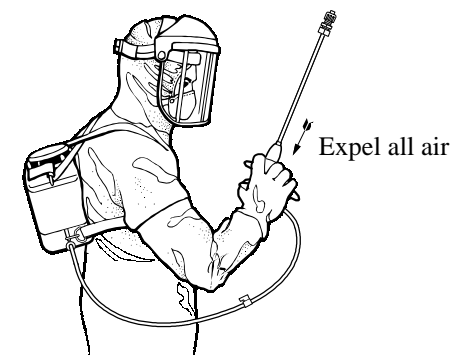
PREPARATION OF SPRAY APPLICATOR

1. First remove the hose pipe and flow control valve stored inside the five litre backpack. Connect the hose pipe to the backpack and then connect the spray lance to the flow control valve according to the instructions contained inside the backpack.

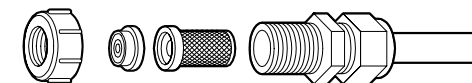


2. Fit the straps onto the backpack at the anchor points indicated.
3. Half fill the reservoir with clean water. Turn the dial on the hand lance to read 2

4. Holding the spray lance vertical to point upwards, open the flow control valve and then operate the trigger mechanism until all the air has been expelled from the syringe chamber and lance.



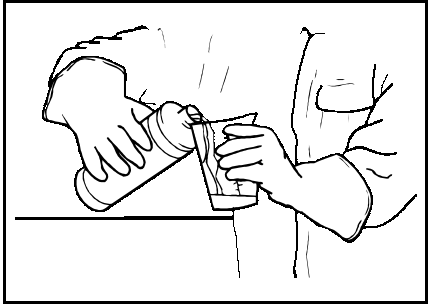
5. Spray onto a dry surface to determine if the spread and spray pattern of the nozzle is suitable.
6. If necessary, select an alternative nozzle by unscrewing the union nut on the nozzle adaptor and inserting a different nozzle.



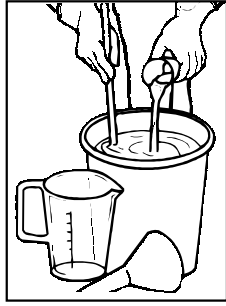
The choice of nozzle will depend on the spray target. In general the hollow cone nozzle fitted is suited to spot treatments of small areas or application of insecticides or fungicides. Alternative flat fan nozzles are also available.

MIXING, FILLING AND CALIBRATION

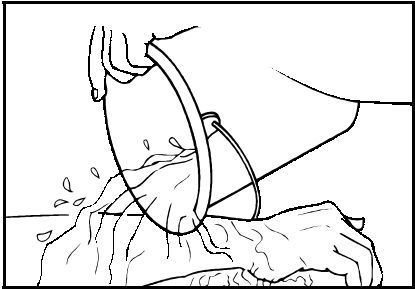
Mixing and filling is generally the most hazardous process in the spraying operation. **Always** follow the label instructions. **Only** mix enough spray for the area to be treated thereby avoiding the need for disposal of unused spray mix.



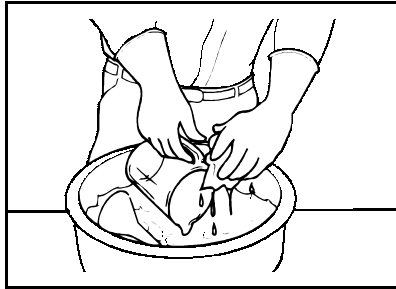
Always wear gloves when handling agrochemicals and equipment.



Always use the correct equipment when mixing and measuring.



Always wash off any skin contamination



Always clean all equipment after use.

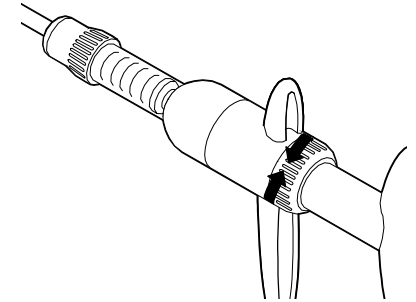
When mixing chemicals follow the label instructions for use with a knapsack sprayer.

SPRAYING

The AccuDos 2P can be used for application of spot treatments to individual weeds or patches of weeds. It can also be used for treating circles around trees or fence posts.

Experience will indicate the optimum volume to be dispensed for any given application.

The required quantity can be dialled in by turning the knurled knob until the desired volume is shown by the position of the syringe in the graduated barrel. Turn the knob anti-clockwise to increase volume and clockwise to decrease volume.



When spraying hold the nozzle 30 - 50 cm from the target.



CLEANING AND MAINTENANCE

After spraying always flush out the backpack and lance with clean water and dispose of the residues according to the product label. Disconnect the lance from the backpack at the tap and allow to dry thoroughly. Store in a clean dry place.